

## OWNER'S MANUAL

# °STELPRO

PROGRAMMABLE ELECTRONIC THERMOSTAT FOR  
BASEBOARDS AND CONVECTORS

ST302P

ST402P

1-844-STELPRO  
WWW.STELPRO.COM



## IMPORTANT INSTRUCTIONS

THE THERMOSTAT MUST BE INSTALLED BY A CERTIFIED  
ELECTRICIAN.

Connect the thermostat to a 120 to 240 VAC power source ONLY and  
comply with load limits.

### WARNING – HIGH VOLTAGE

Turn off the power supply before installation and main-  
tenance. Leave at least 12 in. (30 cm) clearance around  
the thermostat to ensure that it is properly vented.

## SAVE THESE INSTRUCTIONS

## TECHNICAL SPECIFICATIONS

VOLTAGE AND LOAD			
PRODUCT CODE	SUPPLY VOLTAGE	LOAD AT 120 V	LOAD AT 240 V
	VOLTS	WATTS	WATTS
ST302P	120-240	150-1500	300-3000
ST402P	120-240	150-2000	300-4000

Load control type	Resistive
Frequency	60 Hz
Storage temperature	-40°C to 50°C (-40°F to 122°F)
Operating temperature	-20°C to 50°C (-4°F to 122°F). LC display less effective below 0°C (32°F)
Humidity	5% to 98% without condensation
Action	Type 1.Y
Pollution degree	2
Software	Class A
Rated impulse voltage	Category II overvoltage (1500 V)
Independently mounted control for surface mounting	
Thermistor used as a sensor, carries no load current	
Overload protection device external to the control: circuit breaker (refer to local electrical code)	

## BEFORE YOU GET STARTED

- The box contains one (1) thermostat with mounting plate, two (2) mounting screws, two (2) twist-on wire connectors and one (1) owner's manual.
- To install this thermostat, you will need a #2 Phillips screwdriver.
- Install your thermostat about 5 ft (1.5 m) from the floor on an inside wall facing the heating system.

EN1

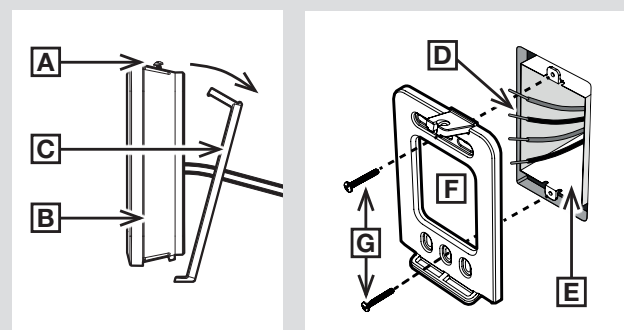
## INSTALLATION

### 1 ATTACH THE MOUNTING PLATE

#### WARNING

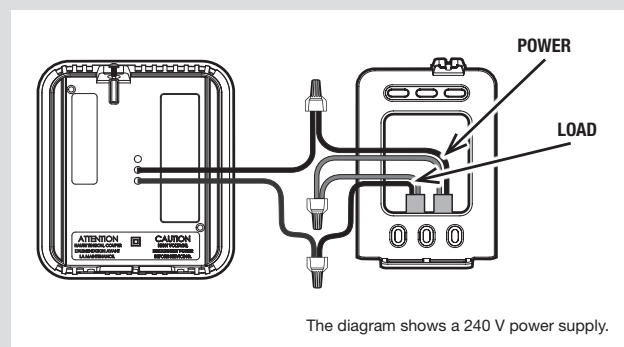
Turn off the power supply.

- Loosen the screw [A] at the top of the thermostat [B] without removing it.
- Separate the mounting plate [C] from the thermostat. Pull the top of the plate and rotate it as shown.
- Take the power wires [D] out of the junction box [E] and run them through the large opening in the center of the mounting plate [F].
- Using the two (2) mounting screws provided [G], attach the thermostat mounting plate to the junction box [E]. The plate can be centered on the junction box or shifted to the left or right.



### 2 CONNECT THE POWER SUPPLY WIRES

- Complete the thermostat's electrical connection according to the diagram below. Tighten the wires securely in the supplied wire connectors.
- Push the wires and connectors into the electrical box.



#### WARNING

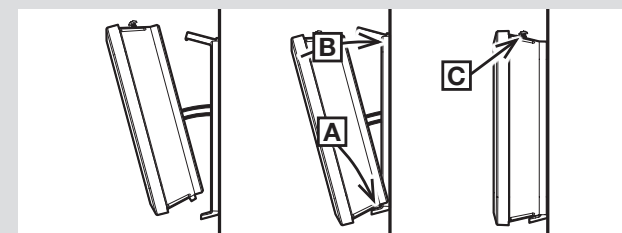
Incorrectly connected electrical wires could result in a fire hazard.

NOTE: If the electrical wires are aluminum, use CO/ALR connectors instead (not supplied).

EN2

### 3 ATTACH THE THERMOSTAT

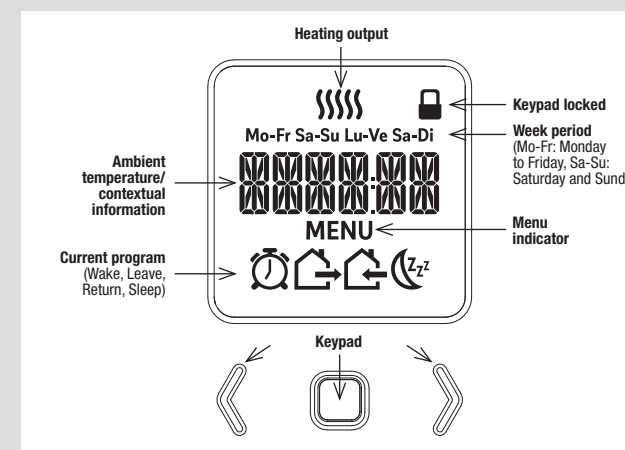
- Using the alignment guide, hook the bottom [A] of the thermostat into the bottom of the plate. Be sure not to jam the wires between the thermostat and mounting plate.
- Rotate the thermostat upwards [B] and attach it on the top hook of the mounting plate.
- Tighten the screw at the top of the thermostat [C] to hold it in place securely.
- Restore the power at the circuit breaker.



NOTE: If you need to remove the thermostat, follow step 1 in section 1, then use a straight screwdriver to unhook it from the top of the mounting plate.

## INTERFACE

This thermostat is programmable. Programmable mode allows you to define the setpoint temperature according to time of day and day of the week. (See the INITIAL SETTINGS AND PROGRAMMING section.) You can also use this thermostat in Manual mode, i.e. the setpoint temperature will be constant.



Touch the keypad once to activate the backlight, then you can make changes.

## INITIAL SETTINGS AND PROGRAMMING

To begin with, follow the on-screen instructions to adjust your thermostat's settings. Press  $\langle$  or  $\rangle$  to change your selection and  $\square$  to confirm.

- Language: FRA / ENG (Français / English)
- Temperature format: °C / °F (Celsius / Fahrenheit)
- Operation mode: PROG / MANUAL (Programmable / Manual)

IF YOU SELECTED MANUAL MODE, YOUR THERMOSTAT IS NOW READY TO USE!

EN3

If you selected Programmable mode, configure the following settings:

- Date and time
- Automatic daylight savings time switchover: DST Y / DST N (Yes / No)
- Program setpoint temperatures (Wake, Leave, Return, Sleep)
- Monday to Friday program hours [Mo-Fr]
- Saturday and Sunday program hours [Sa-Su]

The following table shows the default program values:

WEEK DAYS			
WAKE $\odot$	LEAVE $\curvearrowright$	RETURN $\curvearrowleft$	SLEEP $\odot^z$
6:00 AM	8:00 AM	4:00 PM	10:00 PM
21°C / 70°F	16°C / 61°F	21°C / 70°F	17°C / 63°F
WEEKEND DAYS			
WAKE $\odot$	SLEEP $\odot^z$		
7:00 AM	11:00 PM		
21°C / 70°F	17°C / 63°F		

## FEATURES

### KEY FEATURES

- Press  $\langle$  or  $\rangle$  once to lower or raise the setpoint temperature by 0.5°C / 1°F. If you are in Programmable mode, the setpoint change will be considered as a temporary override to the programming. The thermostat will return to Programmable mode when the next program begins. To cancel the override and return to Programmable mode, press  $\square$ .
- Press  $\square$  once to switch from Manual to Programmable mode and vice versa.
- If Programmable mode is selected, press  $\square$  twice to go to the next program.

### ADVANCED MENU ACCESS AND USE

- Press and hold  $\square$  for three (3) seconds to access the thermostat's advanced menus.
- Press  $\langle$  or  $\rangle$  to change your selection.
- Press  $\square$  to confirm your selection and proceed to the next menu.
- Press and hold  $\square$  for three (3) seconds to exit the advanced menus.

### ADVANCED MENU LIST

- Language: FRA / ENG (Français / English)
- Temperature format: °C / °F (Celsius / Fahrenheit)
- Operation mode: PROG / MANUAL (Programmable / Manual)
- When Programmable mode is selected, you can change the following settings:
  - Date and time
  - Automatic daylight savings time switchover: DST Y / DST N (Yes / No)
  - Program setpoint temperatures (Wake, Leave, Return, Sleep)
  - Monday to Friday program hours [Mo-Fr] (Wake, Leave, Return, Sleep)
  - Saturday and Sunday program hours [Sa-Su] (Wake, Sleep)
- Keypad lock: LOCK / UNLOCK (Lock / Unlock keypad)
- Reset thermostat to default values: RST N / RST O (No / Yes)

## °STELPRO LIMITED WARRANTY

Limited three-year warranty. See details on [www.stelpro.com](http://www.stelpro.com).

STELPRO DESIGN INC.

EN4

Saint-Bruno-de-Montarville, Quebec,  
Canada, J3V 6L7